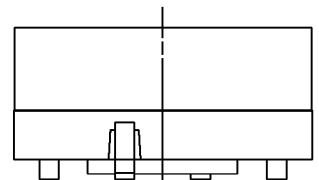
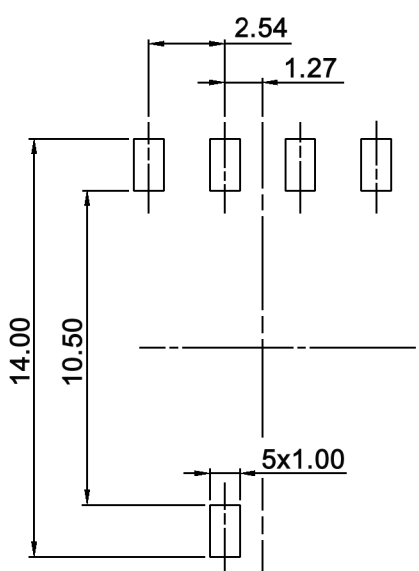


P.C.B. LAYOUT



TYPE	CIRCUIT CHARACTERISTIC										
	CODE	POSITION									● ON
		0	1	2	3	4	5	6	7	8	
SMR 5010	1		●		●		●		●		●
	2			●	●			●	●		
	4					●	●	●	●		
	8									●	●



Tolerances: ±0.20mm max.	Date	Name
	12/12	dr
Modifications	Date	Name

SMR 5010

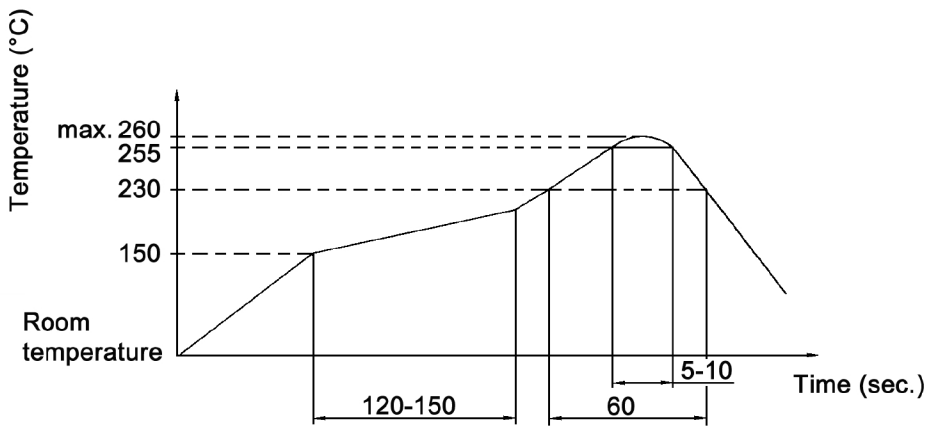
knitter-switch

30 27 58

Specifications:

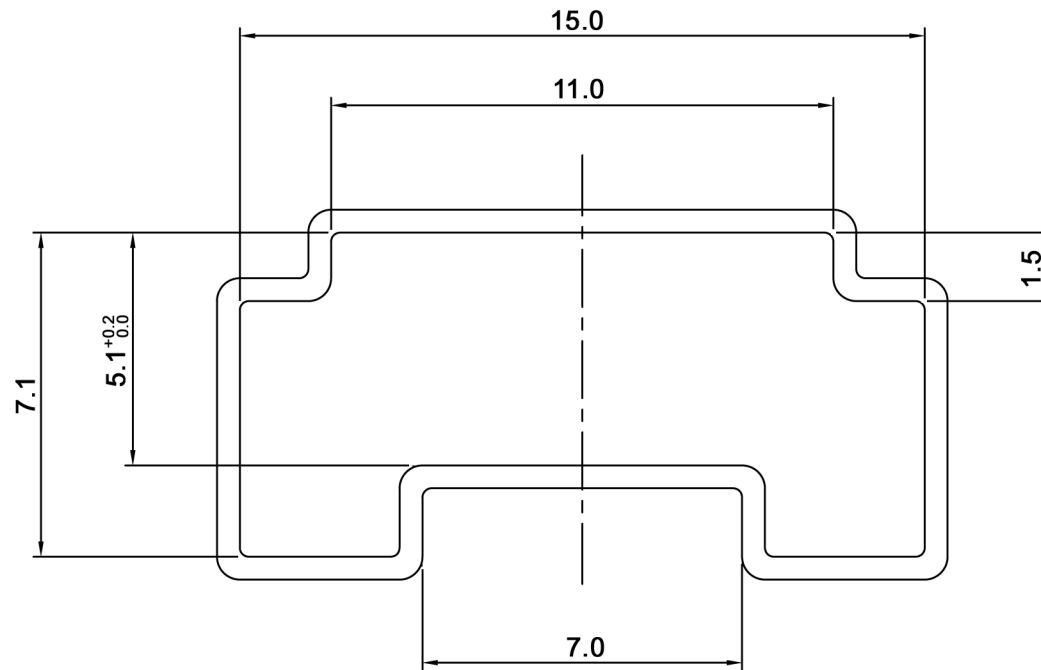
Contact rating: non-switching: 100mA, 50V DC
switching: 30mA, 15V DC
Contact resistance: 100mOhm max.
Insulation resistance: 1 000MOhm min. at 250V DC
Dielectric strength: 250V AC for 1 minute
Operating temperature: -40°C to +85°C
Mechanical life: 20 000 cycles min.
Operating force: 250 gf.cm max.
Material: Base / cover: high-temp. thermoplastic nylon UL94V-0,
molded black
Movable contact: alloy copper, gold plated
Actuator: high-temp. thermoplastic nylon UL94V-0,
color: yellow
O-ring: silicone
Spring: stainless steel
Terminal: brass, gold plated

Soldering conditions: IR reflow: 260 +/-5°C, 4-6sec.



Tolerances: ±0.20mm max.			Date	Name	<h1>SMR 5010</h1>
			12/12	dr	
			knitter-switch		<h2>30 27 58</h2>
Modifications			Date	Name	Page 2/3

Packaging:



Tolerances: ±0.15mm max.			Date	Name	SMR 5010
			12/12	dr	
			knitter-switch		30 27 58
					Page
					3/3
Modifications	Date	Name			

Packaging unit: 48 pcs. / tube